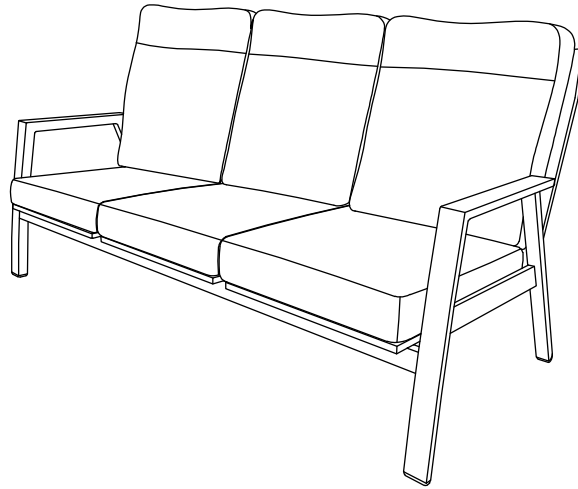


Parsons Outdoor Lounge – Sofa

Assembly Instructions



IMPORTANT: Please read these assembly instructions carefully before beginning assembly. Retain for future reference. CAUTION: This product is heavy. Assemble with the assistance of another adult. Do not assemble in the presence of children.

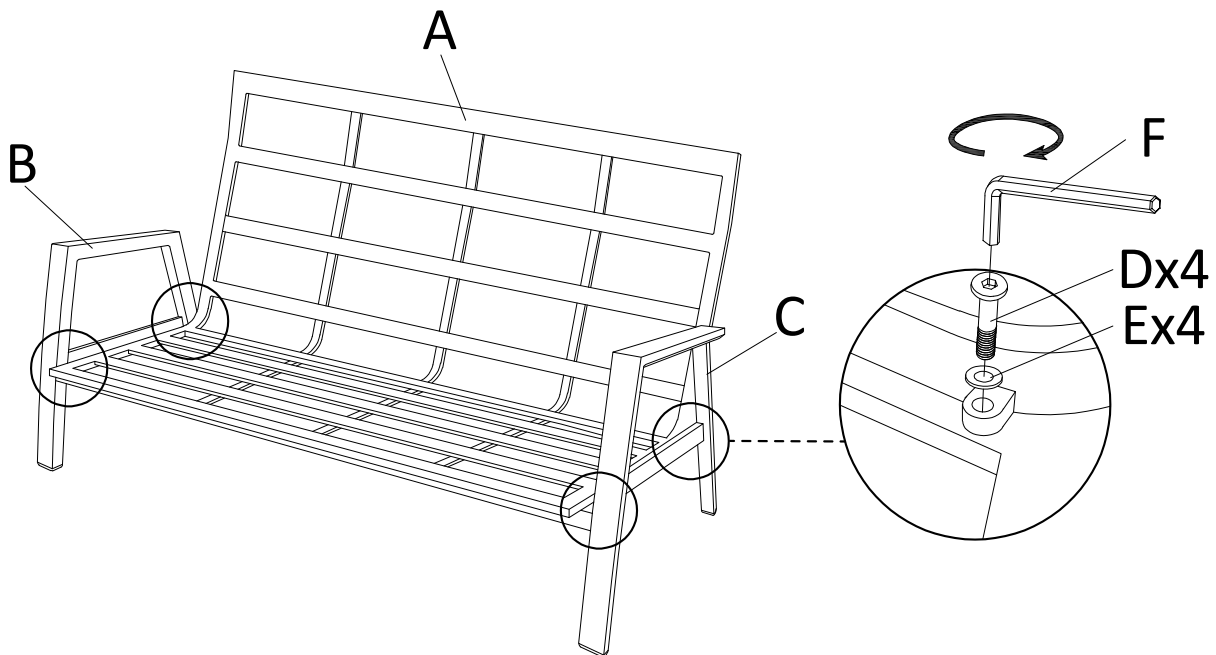


A (x1)	B (x1)	C (x2)	D (x4)	E (x4)	F (x1)	G (x3)	H (x3)

Insert all bolts and loosely finger tighten first. Once all bolts are in place, re-visit each bolt and fully tighten with the provided tool(s). Do not fully tighten bolts one by one.

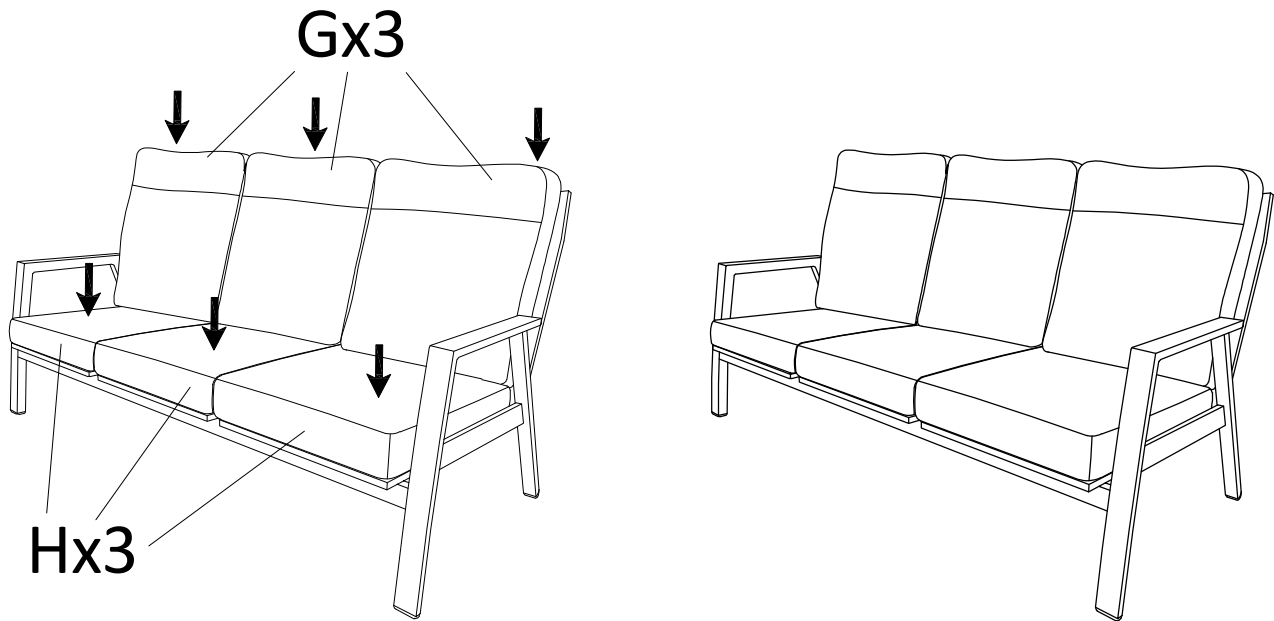
- PLEASE SEPARATE AND IDENTIFY ALL PARTS, MAKING SURE THAT YOU HAVE ALL OF THE PARTS LISTED.
- TO AVOID ANY SCRATCHES DURING ASSEMBLY, PLEASE ASSEMBLE ON A SOFT MAT OR SIMILAR.
- PLEASE ASSEMBLE STEP BY STEP AND FOLLOW THE INSTRUCTIONS.
- WASHERS MUST BE USED WHERE SUPPLIED.
- WHILE EACH BOLT AND NUT IS PROPERLY FASTENED, DO NOT OVER FASTEN IT.
- DO NOT COMPLETELY FASTEN EACH BOLT AND NUT UNTIL ALL THE BOLTS ARE PROPERLY FIXED.

1. Assemble the sofa legs (B & C) to the sofa frame (A) using the M8 bolts (D) and washers (E)



(continued next page)

2. Place the seat cushions (H) and backrest cushions (G) into place on the assembled sofa frame



For care and maintenance tips please visit: [synargy.com/product-care](https://www.synargy.com/product-care)